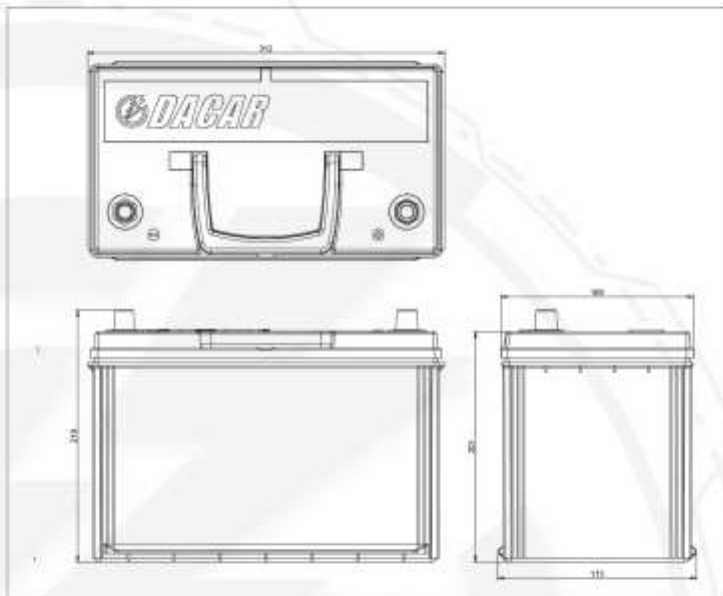


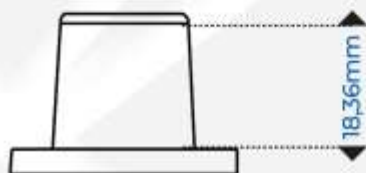


## BP 27-100

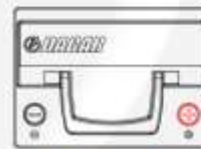
## DATA SHEET



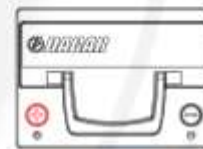
### TYPE OF TERMINAL SAE Post



### POLARITY



NORMAL



INVERTED

### SPECIFICATIONS AND CHARACTERISTICS



VOLTAGE	12V
Ah	100
RES. MIN	188
CCA -18°C	825
CA -0°C	990



#### DIMENSIONS

LENGTH	300 mm
WIDTH	168 mm
HEIGHT	224mm



#### BOX BATTERY COVER OPTIONS

#### SEPARATOR TYPE OF BATTERY

PP OF HIGH IMPACT  
FLAT TYPE WITH HANDLE  
1- LMP=SMF  
2-POD( PUSH IN VENT PLUG)  
PE ENVELOPE  
MAINTENANCE FREE  
TECHNOLOGY



# Máxima Duración

